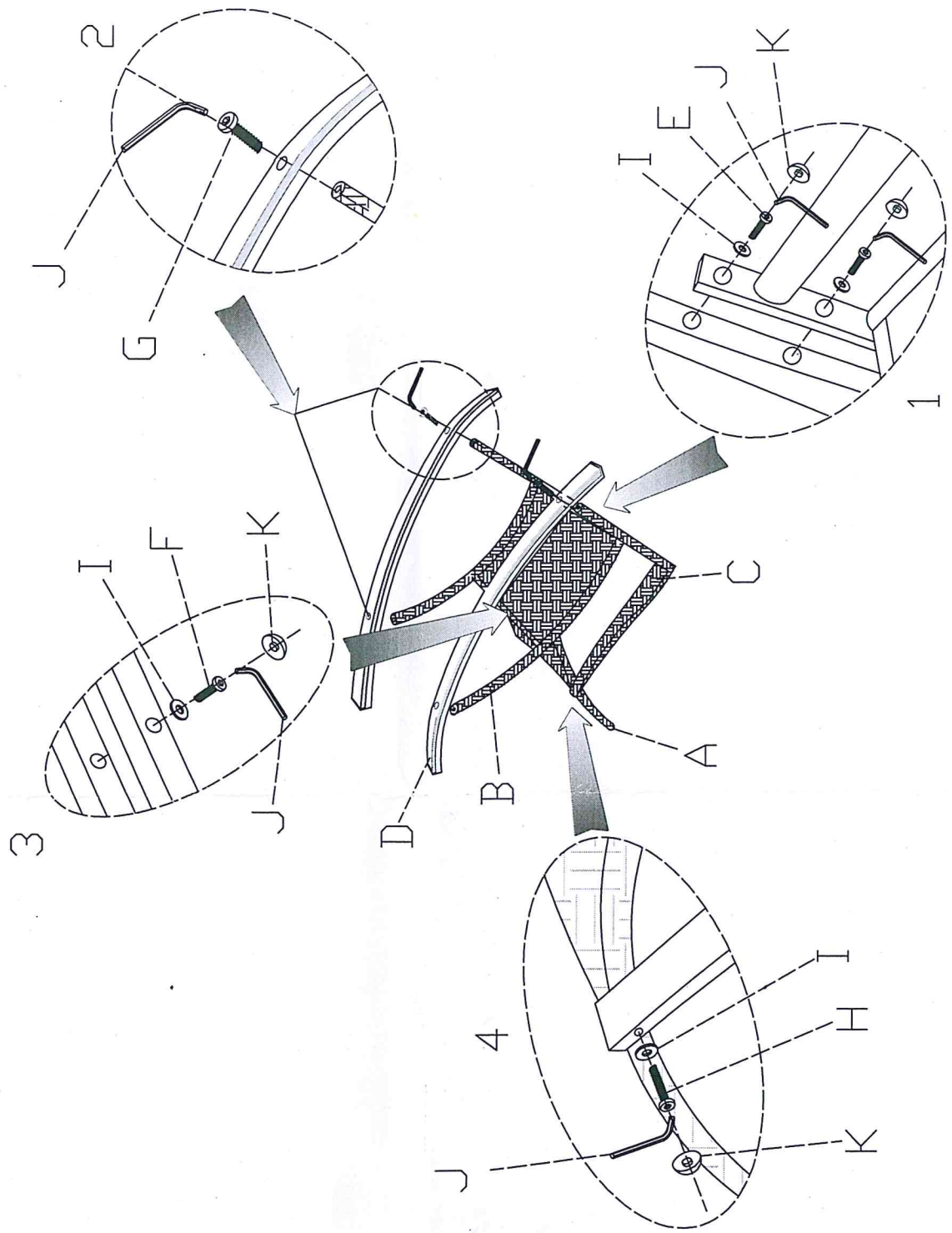


ASSEMBLY INSTRUCTION
ITEM: WA0245RL-1

Don't tighten the bolts until all parts finish assembling!



A		1PC
B		1PC
C		1SET
D		2PCS
E		4PCS
F		2PCS
G		4PCS
H		2PCS
I		8PCS
J		1PC
K		8PCS

Very Important

Please Read Before Installing Runners.

When attaching runners, only finger tighten each bolt several turns before screwing down completely. Securing and tightening one bolt at a time will create fitting issues and potentially strip out the bolt hole on the opposite end.



*Tortuga Outdoor – 495 Brown Ind. Pkwy. -- Canton, GA – 30114 - Phone 678-880-6065
Hours M-F 8:30am-4:30pm EST - customerservice@tortugaoutdoor.com*